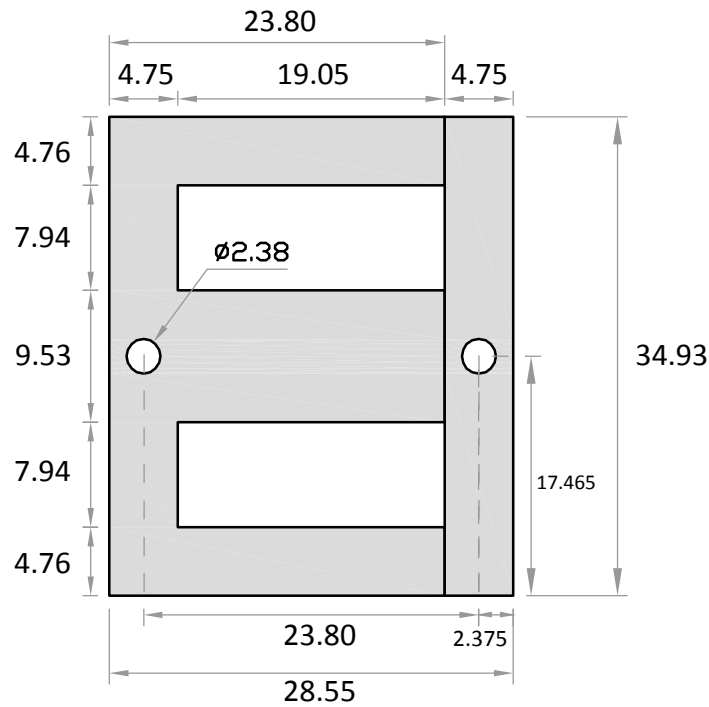




**Jiangsu Hongyun Precision Industry Co., Ltd.**  
**江苏鸿云精密工业有限公司**

江苏省淮安市盱眙县国槐大道7号 No 7, Guohuai Avenue, Xuyi County, Huai'an, 211700, Jiangsu.

## EI 375



TOLERANCE:  $\pm 0.08\text{mm}$

Unit in MM

### K1 (STACKING FACTOR)

Thickness (mm)	Butt jointed	Interleaved one per layer
0.15	0.90	0.80
0.2	0.90	0.85
0.35	0.95	0.90

### WEIGHT & PIECES

MATERIAL TYPE	THICKNESS (mm)	GRAMS/PIECE	PIECES/KG
PC (Ni80%)			
	0.35	2.103	476
PB (Ni48-50%)			
	0.35	1.982	505